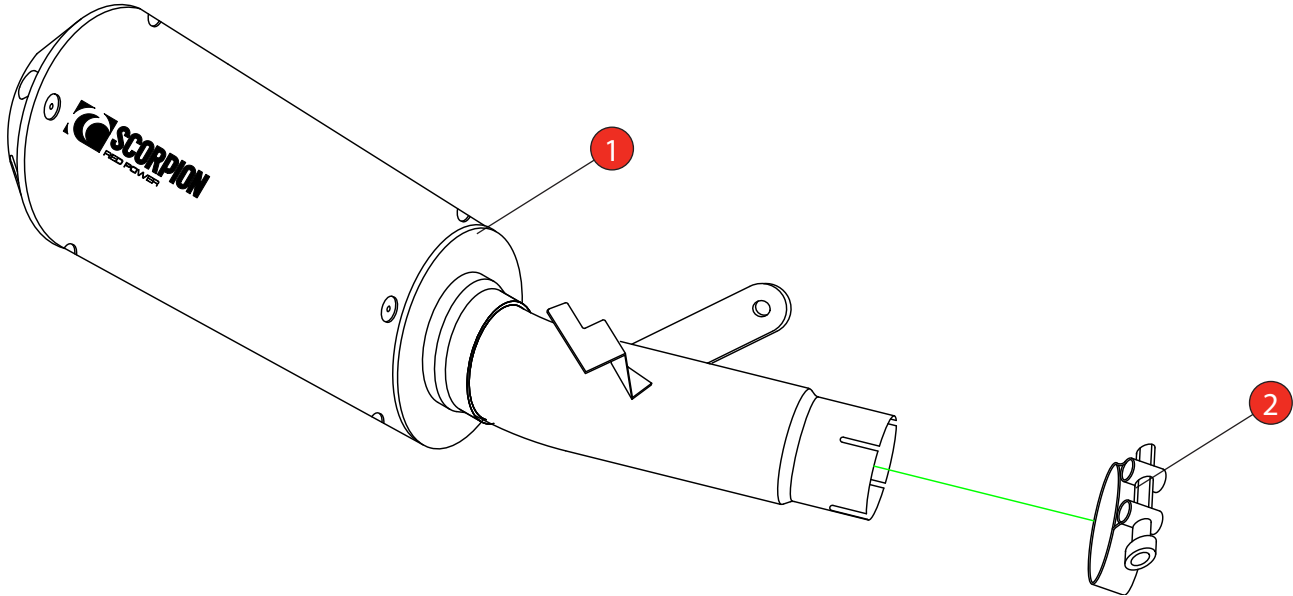


<b>Bike</b>	Suzuki GSX-S 1000	<b>Part No.</b>	PSI-126
<b>Year</b>	2021-Current	<b>Fit Kit</b>	Z039.10699
<b>Notes</b>	Where not supplied use original fittings	<b>dB Killer</b>	N/A

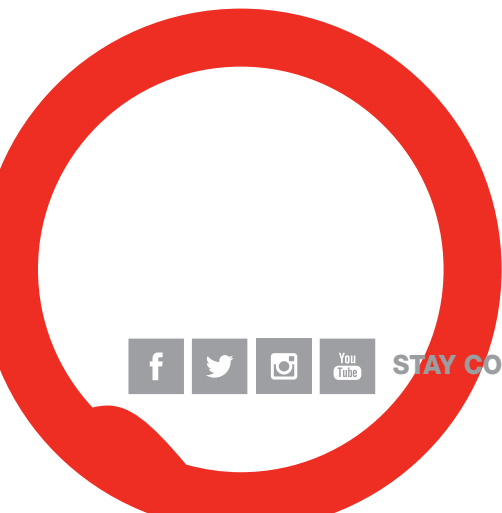
Estimated Fitting Time: 60 Minutes



NO.	PART NO.	DESCRIPTION	QTY
1	PSC463	Red Power Silencer with CP1138	1
<b>Fit Kit - Z039.10699</b>			
2	Z016.10003	47-51mm Clamp	1

E-MARK	BSAU 193a 1990/t3
DATE	14/09/21
ISSUE	00
AUTHORISED	M.Ydlibi

**NOTE:** ENSURE SCORPION SYSTEM IS CLEAR OF MOVING PARTS AND ALL ORIGINAL FUNCTIONS WORK CORRECTLY.



STAY CONNECTED TO RED POWER.

Bike	Suzuki GSX-S 1000	Part No.	PSI-126
Year	2021-Current	Fit Kits	Z039.10699
Notes	Where not supplied use original fittings	dB Killer	N/A



A) Un-bolt the heat shield and remove it from the bike.

B) Loosen the clamp holding the original silencer.

C) Support the weight of the silencer and remove the mounting bolt.

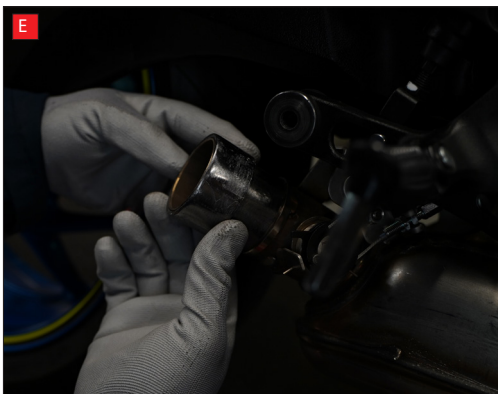
D) Remove the silencer from the bike.

E) Remove the gasket from the bike. This may have already been removed with the silencer.

F) Fit the Scorpion exhaust to the bike ensuring the clamp is over the pipe work.

G) Secure the bracket on the Scorpion silencer behind the original mounting point using the original nut and bolt.

H) Tighten the band clamp.



Bike	Suzuki GSX-S 1000	Part No.	PSI-126
Year	2021-Current	Fit Kits	Z039.10699
Notes	Where not supplied use original fittings	dB Killer	N/A

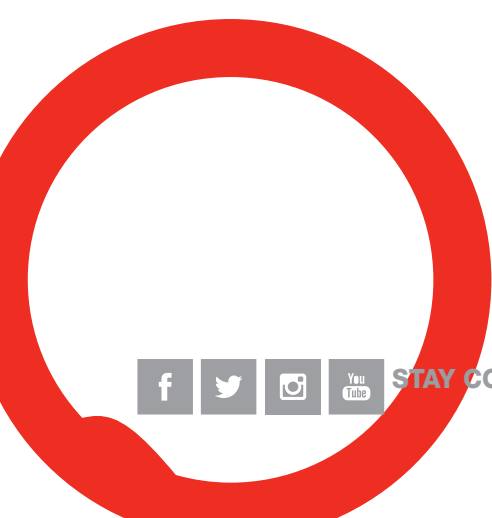


I) Carefully remove the rubber cap from the original exhaust.

J) Fit the rubber cap on to the bracket on the Scorpion pipe work.

K) Slide the heat shield on to the pipe work and secure with the original bolt.

When fitted take bike for a short ride to ensure all functions are correct. When bike & exhaust are cool enough check all nuts and bolts are still secure.



STAY CONNECTED TO RED POWER.

<b>Bike</b>	Suzuki GSX-S 1000	<b>Part No.</b>	PSI-126
<b>Year</b>	2021-Current	<b>Fit Kit</b>	Z039.10699
<b>Notes</b>	Where not supplied use original fittings	<b>dB Killer</b>	N/A

Estimated Fitting Time: 60 Minutes



Thank you for purchasing your Scorpion Silencer.

Care of your exhaust: Please refrain from cleaning silencer with heavy solvents or abrasives!

Vielen Dank Für den kauf eines Scorpion Schalldampfers! Pflegehinweis: Bitte verwenden Sie niemals Scheuermittel oder aggressive Reiniger zur Pflege Ihres Auspuffes!

Merci d'avoir choisi un echappement Scorpion.

Entretien de votre silencieux: Ne pas utiliser de solvants ou de produits abrasifs!

Muchas gracias por adquirir un Silencioso Scorpion. Le recomendamos no limpiar el silencioso con productos abrasivos o aquellos que contengan disolventes.



STAY CONNECTED TO RED POWER.